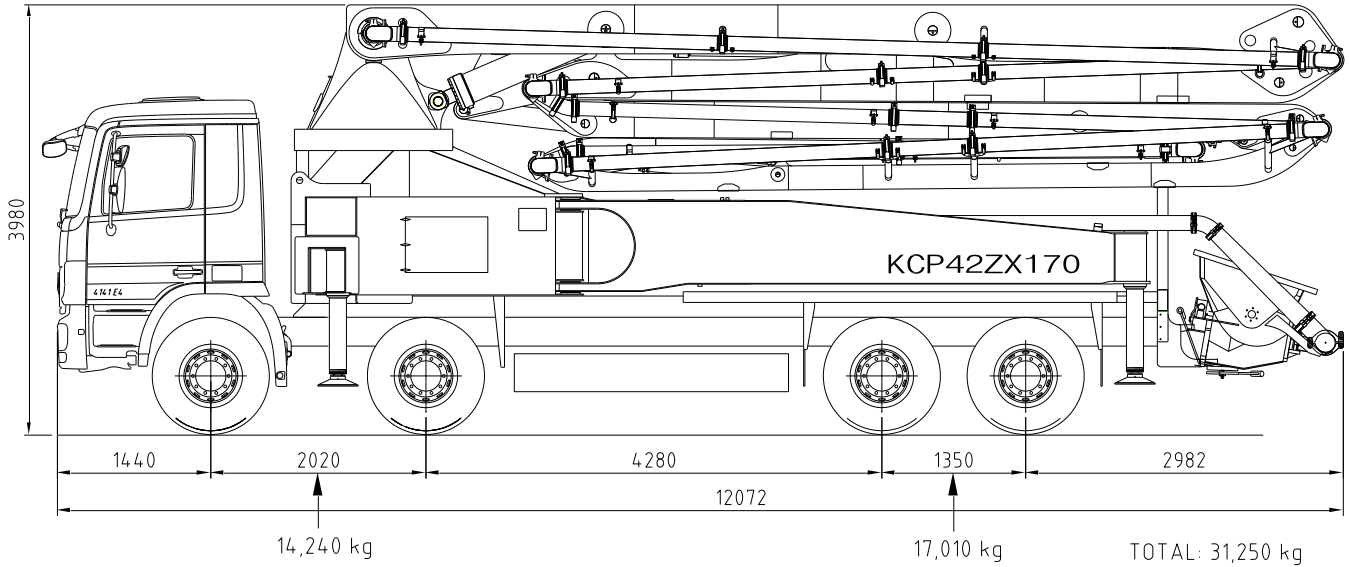


Our Pride ...

KCP42ZX170

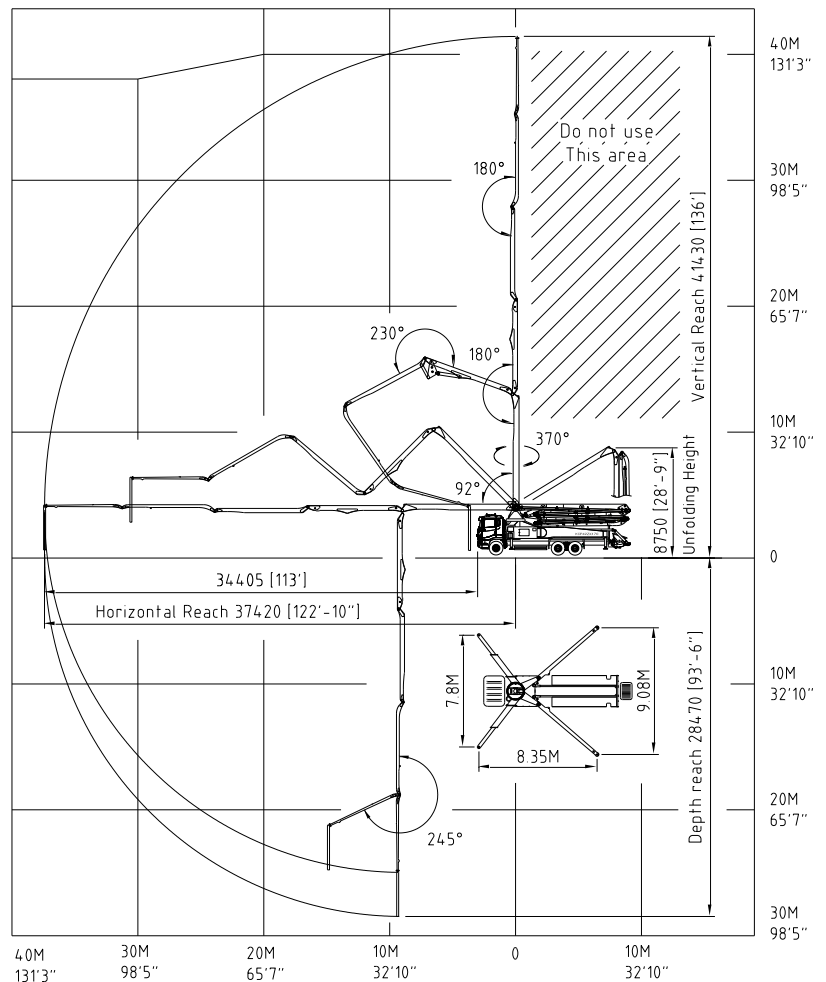


Boom specifications

Vertical reach	41.4M
Horizontal reach	37.4M
Reach from front of truck	34.4M
Unfolding height	8.75M
Section articulation	92°/180°/230°/180°/245°
Rotation	370°
Delivery line	125 mm
Proportional boom	Yes
End hose length	3.5 M
Outrigger spread-front	7.8 M
Outrigger spread-rear	9.08 M
Max. outrigger weight	27,000kg

- ⊙ Truck specifications : Mercedes BENZ4141 (EURO4)
- ⊙ Maximum theoretical values listed.
- ⊙ Photos and drawings are for illustrative purpose only
- ⊙ Right to make technical amendments reserved

Working diagram



Pump specifications

Maximum output	170 m³/h
Concrete cylinder	Ø230×2100
Stroke per minute	32
Concrete pressure	72 bar
Hopper capacity	0.6 m³
S-tube	Ø200×Ø180
Hydraulic pump	KCP – K3V180DT
Cycling system	Hydraulic with manual overrides
Max. aggregate size	40 mm